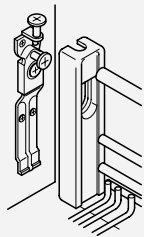


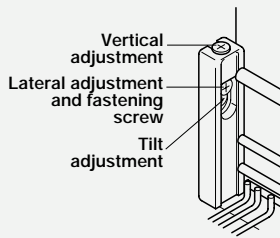
Cabinet Fittings

Drawer/Extension

Extension and revolving fittings



Front panels can be installed with the utmost ease. The brackets are secured to the panel.



* depending on side panel thickness of 16 or 19 mm

Fastening screws:

Varianta special screws **flat head** with cross slit PZ 2 for **wood**

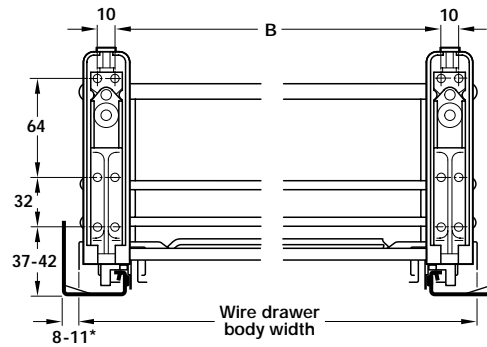
Finish: steel, galvanized



Length	Cat. No.
10,5 mm	013.14.910
13,5 mm	013.14.920
16,5 mm	013.14.930

Packing: 100 and 1000 pcs.

Dimensional data not binding. We reserve the right to alter specifications without notice.

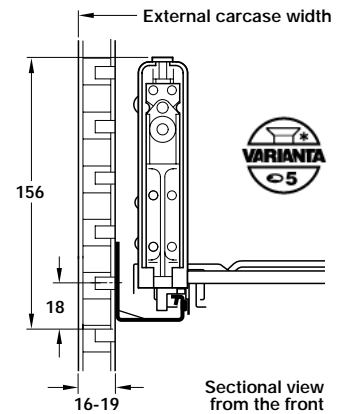


Front extension drawer

- with 3-way front panel mounts
 - roller bearing mounted runners – full extension-“Tandem”
 - with self-closing action
 - load carrying capacity **30 kg**
 - installation depth 505 mm
- Finish: steel, chrome-plated
runners: steel, galvanized

For external carcass width	Drawer body W x D x H (mm)	Dim. B	Cat. No.
400 mm	345 x 480 x 140	304 mm	540.24.213
450 mm	395 x 480 x 140	354 mm	540.24.214
500 mm	445 x 480 x 140	404 mm	540.24.215
600 mm	545 x 480 x 140	504 mm	540.24.217

Packing: 1 pc.



Internal extension drawer

- with lowered front
 - roller bearing mounted runners – full extension-“Tandem”
 - with self-closing action
 - load carrying capacity **30 kg**
 - installation depth 505 mm
- Finish: steel, chrome-plated; runners: steel, galvanized

For external carcass width	Drawer body W x D x H (mm)	Cat. No.
400 mm	345 x 476 x 120	540.25.213
450 mm	395 x 476 x 120	540.25.214
500 mm	445 x 476 x 120	540.25.215
600 mm	545 x 476 x 120	540.25.217

Packing: 1 pc.

