

Tandembox Drawer Runner Systems

Please see page 1777 for installation tools.



Drawer



Internal drawer

Front mounting parts for drawers and internal drawers, see page 720.

Hollow chamber drawer runner - standard for drawers or internal drawers

- with **full extension** / roller bearing guide
- height: 92,5 mm
- extension loss: 0 mm
- with self-closing action

Consisting of:

- 1 pair runners, steel, stainless steel or aluminium
- 1 pair roller bearing guides, steel, galvanized
- 1 pair wooden rear panel holders, steel
- 2 pcs. trim caps, plastic, grey RAL 7037

Colour combinations

Runners	Wooden rear panel holders, steel
steel, white	white
steel, white aluminium RAL 9006	white aluminium RAL 9006
stainless steel	nickel-plated
aluminium	white aluminium RAL 9006

Rail length*	Load capacity	Cat. No.			
		Steel, white	Steel, white aluminium RAL 9006	Stainless steel	Aluminium, silver coloured EV1
270 mm	30 kg	555.26.727	555.26.227	555.26.027	555.26.927
350 mm	30 kg	555.26.735	555.26.235	555.26.035	555.26.935
400 mm	30 kg	555.26.740	555.26.240	555.26.040	555.26.940
450 mm	30 kg	555.26.745	555.26.245	555.26.045	555.26.945
500 mm	30 kg	555.26.750	555.26.250	555.26.050	555.26.950
550 mm	30 kg	555.26.755	555.26.255	555.26.055	555.26.955
650 mm	50 kg	555.26.766	555.26.266	555.26.066	555.26.966

Packing: 1 and 4 sets

Cabinet Fittings

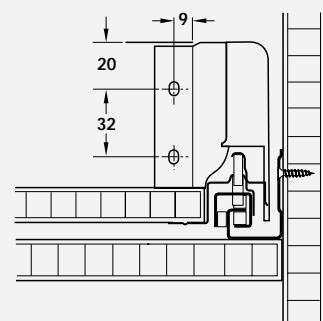
Drawer/Extension

Drawer runners and -systems

- 2 dimensional front panel adjustment



Rear panel installation dimensions



Dimensions in mm

Dimensional data not binding. We reserve the right to alter specifications without notice.